



DATA SHEET

Tail Star 360 28V

Position/Strobe LED Light

General information

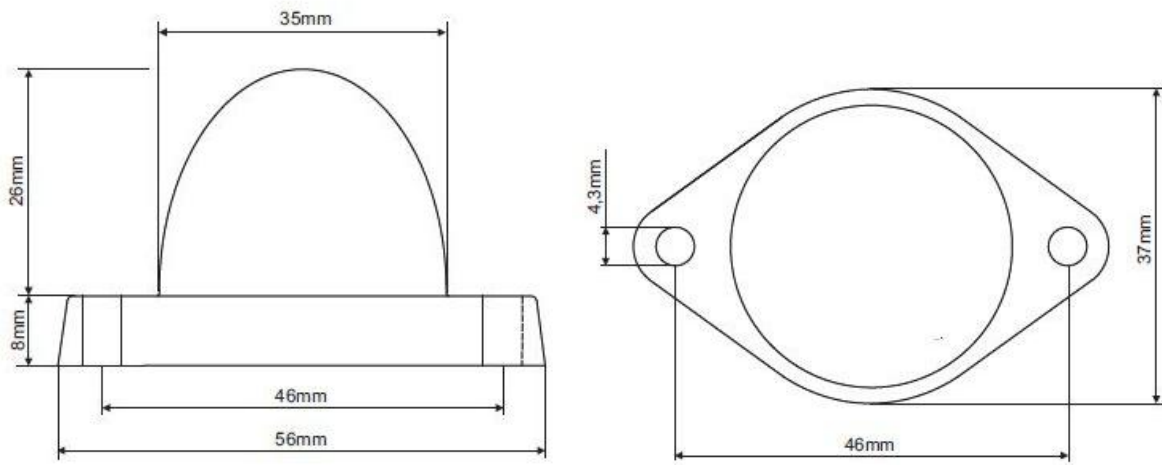
Tail Star is **LED position light** (white) with **synchronized strobe** feature. The installation and connection process is very easy and there is **no need for additional external strobe controllers**. You simply connect all the wiring directly to the lamp. Monolith encapsulation ensures that the lamp is water and vibration resistant. **Tail Star** can work as:

- **position** (white) light only
- **strobe** (white) light only
- **position & strobe** light at the same time

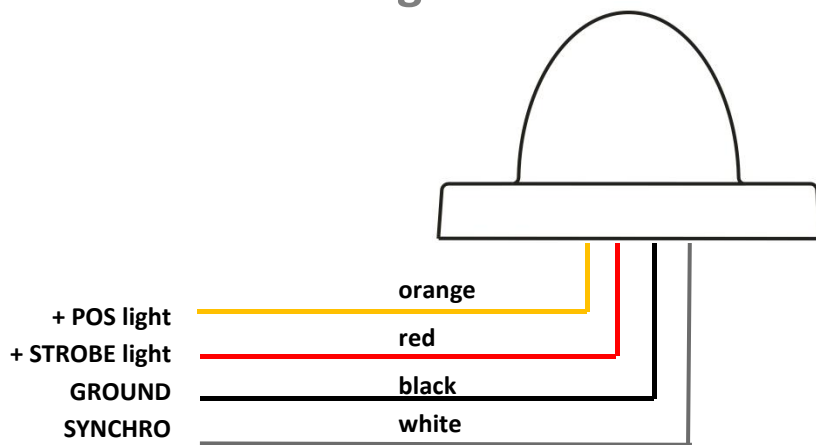
Technical Data

Position light	YES (white)
Strobe light	YES (white)
Operation voltage range	22 V - 28 V
Dimensions	56 mm x 37 mm x 34 mm
Weight	40 g
Operation temperature range	- 35°C to + 60°C
Current - position light	30 mA
Current - strobe light	1 A in peak
Input power - position light	6 W
Input power - strobe light	30 W in peak
Position light angle	140°
Position light luminosity	800 lm
Strobe light luminosity	2300 lm
Strobe light frequency	100 flashes/min
Wiring requirement	0,5 mm ² cable
Encapsulation	Monolith of UV resistant epoxy resin
Strobe control unit	Lamp built in
Reverse polarity protection	YES
Vibration resistance	YES
Water resistance	YES
Warranty	2 years
Strobe synchronization	YES

Drawing



Connection Diagram



Light Distribution



Wiring Diagram

