

**Avio**Lights



[www.AvioLights.com](http://www.AvioLights.com)



**DATA SHEET**

**Tail Star 140 28V**

*Position/Strobe LED Light*

## General information

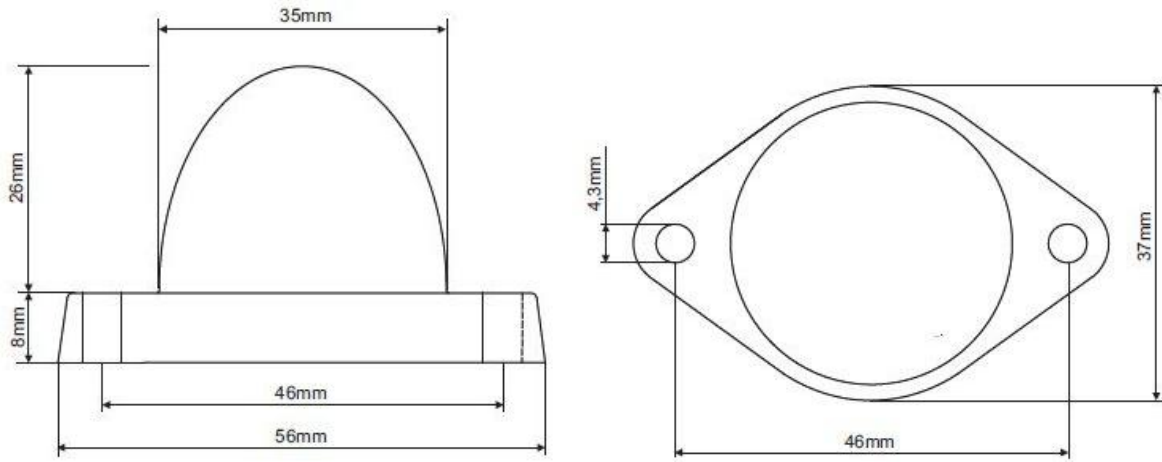
**Tail Star** is **LED position light** (white) with **synchronized strobe** feature. The installation and connection process is very easy and there is **no need for additional external strobe controllers**. You simply connect all the wiring directly to the lamp. Monolith encapsulation ensures that the lamp is water and vibration resistant. **Tail Star** can work as:

- **position** (white) light only
- **strobe** (white) light only
- **position & strobe** light at the same time

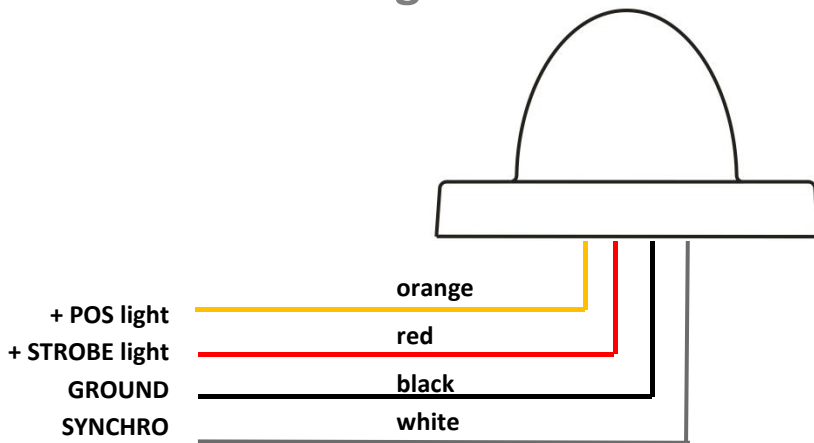
## Technical Data

<b>Position light</b>	YES (white)
<b>Strobe light</b>	YES (white)
<b>Operation voltage range</b>	22 V - 28 V
<b>Dimensions</b>	56 mm x 37 mm x 34 mm
<b>Weight</b>	40 g
<b>Operation temperature range</b>	- 35°C to + 60°C
<b>Current - position light</b>	20 mA
<b>Current - strobe light</b>	1 A in peak
<b>Input power - position light</b>	6 W
<b>Input power - strobe light</b>	30 W in peak
<b>Position light angle</b>	140°
<b>Position light luminosity</b>	300 lm
<b>Strobe light luminosity</b>	2300 lm
<b>Strobe light frequency</b>	100 flashes/min
<b>Wiring requirement</b>	0,5 mm <sup>2</sup> cable
<b>Encapsulation</b>	Monolith of UV resistant epoxy resin
<b>Strobe control unit</b>	Lamp built in
<b>Reverse polarity protection</b>	YES
<b>Vibration resistance</b>	YES
<b>Water resistance</b>	YES
<b>Warranty</b>	2 years
<b>Strobe synchronization</b>	YES

### Drawing



### Connection Diagram



### Light Distribution



# Wiring Diagram

