

**Avio**Lights



[www.AvioLights.com](http://www.AvioLights.com)



**DATA SHEET**

**Red Eye**

*Beacon LED Light*

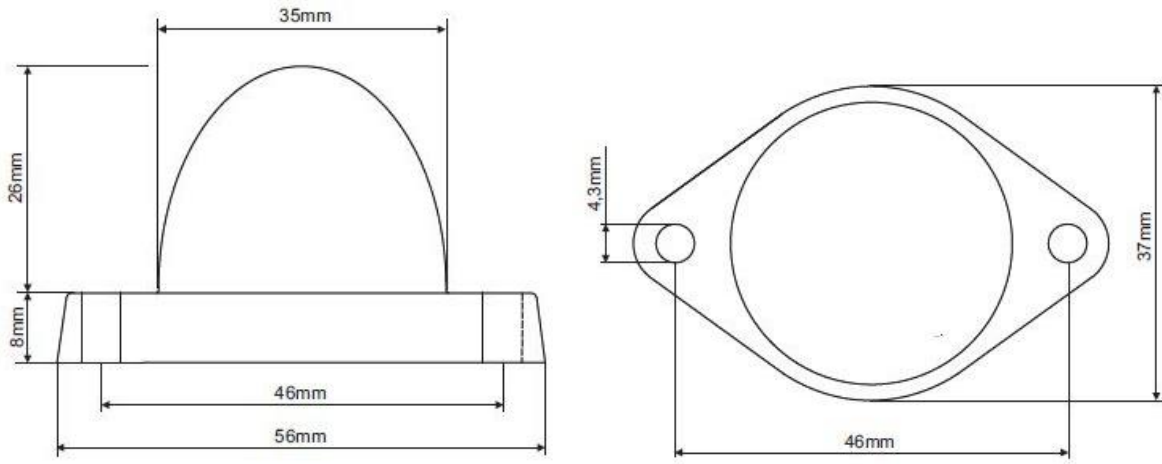
## General information

The **Red Eye** lamp is **LED beacon/recognition light**, flashing with **red light**. The installation and connection process is very easy and there is no need for additional external controllers. You simply connect all the wiring directly to the lamp. Beacon also includes **synchronization feature** and might be synchronized with other AvioLights products. Monolith encapsulation ensures that the lamp is **water and vibration resistant**.

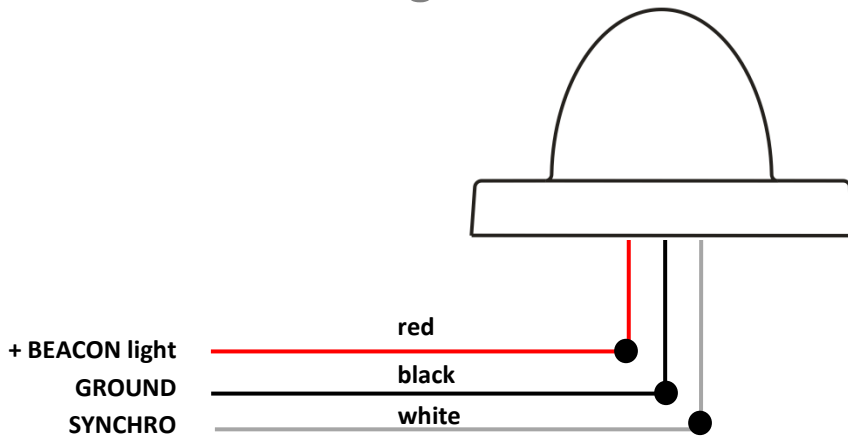
## Technical Data

|                             |                                      |
|-----------------------------|--------------------------------------|
| Beacon light color          | RED                                  |
| Operation voltage range     | 11,8 V - 14,8 V                      |
| Dimensions                  | 56 mm x 37 mm x 34 mm                |
| Weight                      | 50 g                                 |
| Operation temperature range | - 35°C to + 60°C                     |
| Current                     | 3,4 A in peak                        |
| Input power                 | 40 W in peak                         |
| Light angle                 | 360°                                 |
| Light luminosity            | 2000 lm                              |
| Flash frequency             | 120 flashes/min                      |
| Wiring requirement          | 0,5 mm <sup>2</sup> cable            |
| Encapsulation               | Monolith of UV resistant epoxy resin |
| Flash control unit          | Lamp built in                        |
| Synchronization             | YES                                  |
| Reverse polarity protection | YES                                  |
| Vibration resistance        | YES                                  |
| Water resistance            | YES                                  |
| Warranty                    | 2 years                              |

### Drawing



### Connection Diagram



### Light Distribution



# Connection Diagram

