



DATA SHEET

Red Eye 28V

Beacon LED Light

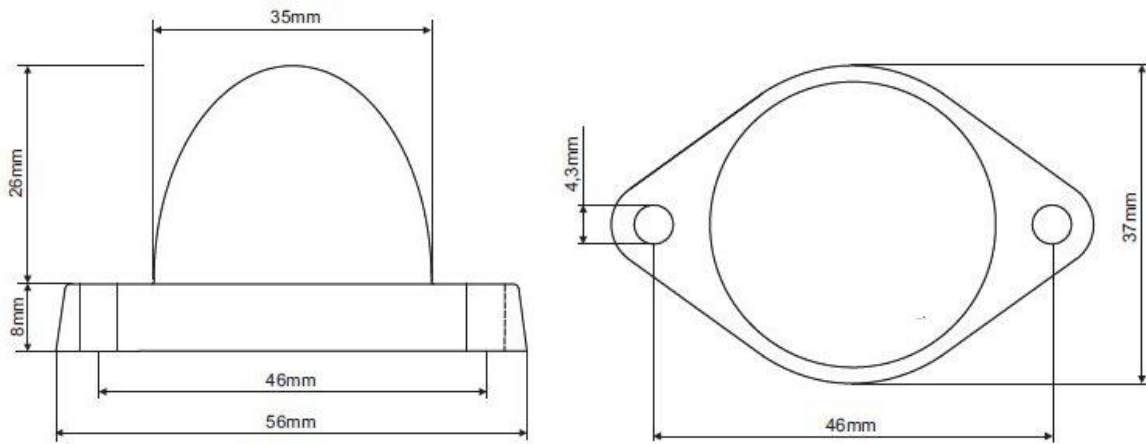
General information

The **Red Eye** lamp is **LED beacon/recognition light**, flashing with **red light**. The installation and connection process is very easy and there is no need for additional external controllers. You simply connect all the wiring directly to the lamp. Beacon also includes **synchronization feature** and might be synchronized with other AvioLights products. Monolith encapsulation ensures that the lamp is **water and vibration resistant**.

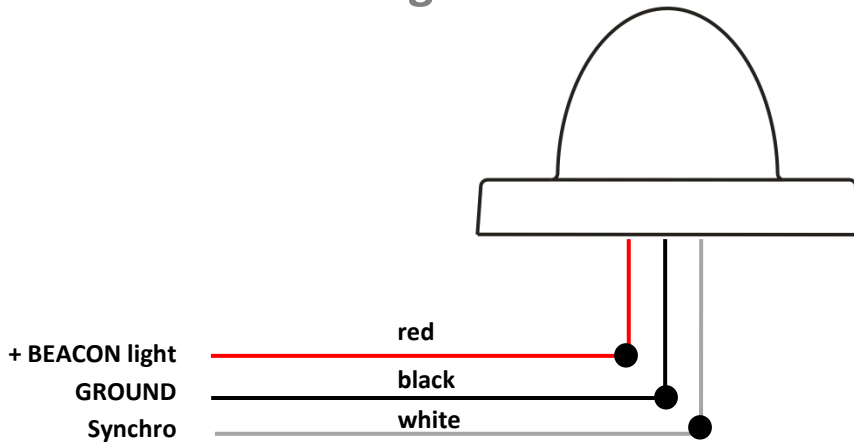
Technical Data

Beacon light color	RED
Operation voltage range	22V - 28V
Dimensions	56 mm x 37 mm x 34 mm
Weight	50 g
Operation temperature range	- 35°C to + 60°C
Current	600 mA (26V) in peak
Input power	20 W in peak
Light angle	360°
Light luminosity	1800 lm
Flash frequency	120 flashes/min
Wiring requirement	0,5 mm² cable
Encapsulation	Monolith of UV resistant epoxy resin
Flash control unit	Lamp built in
Synchronization	YES
Reverse polarity protection	YES
Vibration resistance	YES
Water resistance	YES
Warranty	2 years

Drawing



Connection Diagram



Light Distribution



Wiring Diagram

