



## **DATA SHEET**

### **Tail Star**

*Position/Strobe LED Light*

## General information

**Tail Star** is **LED position/strobe light**. It is designed for LSA, Ultralight, KIT and Experimental aircraft. The light is very compact and efficient, always ensuring you to be clearly visible in the air. **Tail Star** can work as:

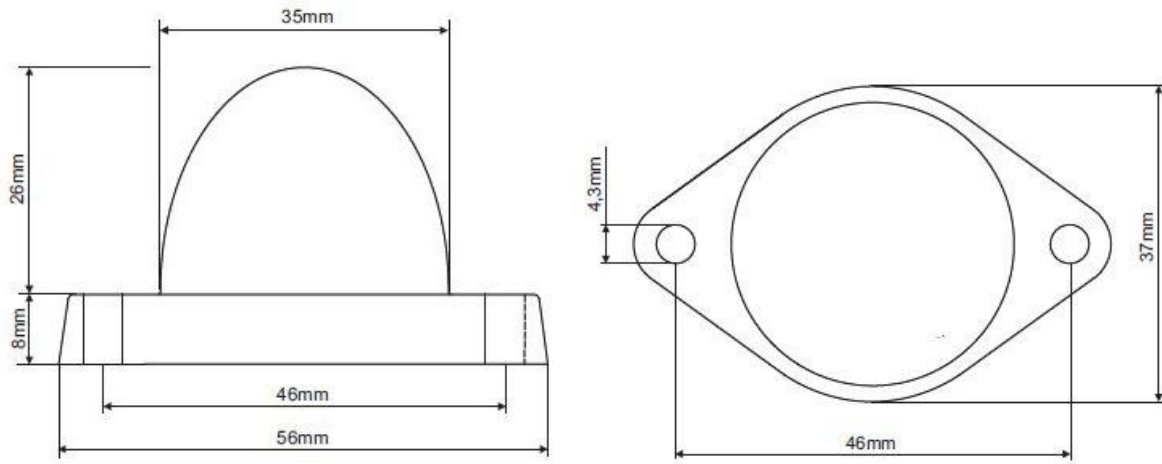
- **position** (white) light only
- **strobe** (white) light only
- **position & strobe** light at the same time

All those features are nicely fitted in **water** and **vibration resistant** monolith capsule. The lamp is having **low weight** and **low power consumption** comparing to classic type bulb lamps.

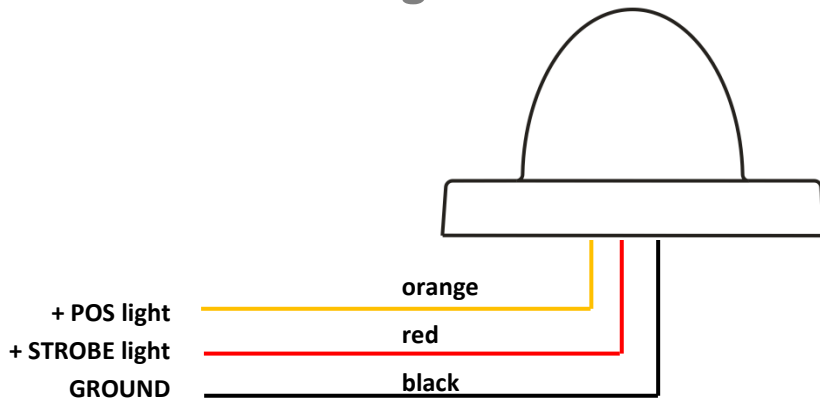
## Technical Data

<b>Position light</b>	YES (white)
<b>Strobe light</b>	YES (white)
<b>Operation voltage range</b>	11,8 V - 14,8 V
<b>Dimensions</b>	56 mm x 37 mm x 34 mm
<b>Weight</b>	50 g
<b>Operation temperature range</b>	- 35°C to + 60°C
<b>Current - position light</b>	0,4 A
<b>Current - strobe light</b>	3,4 A in peak
<b>Input power - position light</b>	5 W
<b>Input power - strobe light</b>	40 W in peak
<b>Position light angle</b>	140°
<b>Position light luminosity</b>	450 lm
<b>Strobe light luminosity</b>	2000 lm
<b>Strobe light frequency</b>	120 flashes/min
<b>Wiring requirement</b>	0,5 mm <sup>2</sup> cable
<b>Encapsulation</b>	Monolith of UV resistant epoxy resin
<b>Strobe control unit</b>	Lamp built in
<b>Reverse polarity protection</b>	YES
<b>Vibration resistance</b>	YES
<b>Water resistance</b>	YES
<b>Warranty</b>	2 years

### Drawing



### Connection Diagram



### Light Distribution

