

**DATA SHEET**

**Sky Nav 360**

*Navigation/Position/Strobe LED Lights*

## General information

**Sky Nav 360** wingtip lights are **LED navigation lights** with integrated **rear position light**, equipped with **strobe light**. They are designed for LSA, Ultralight, KIT and Experimental aircraft.

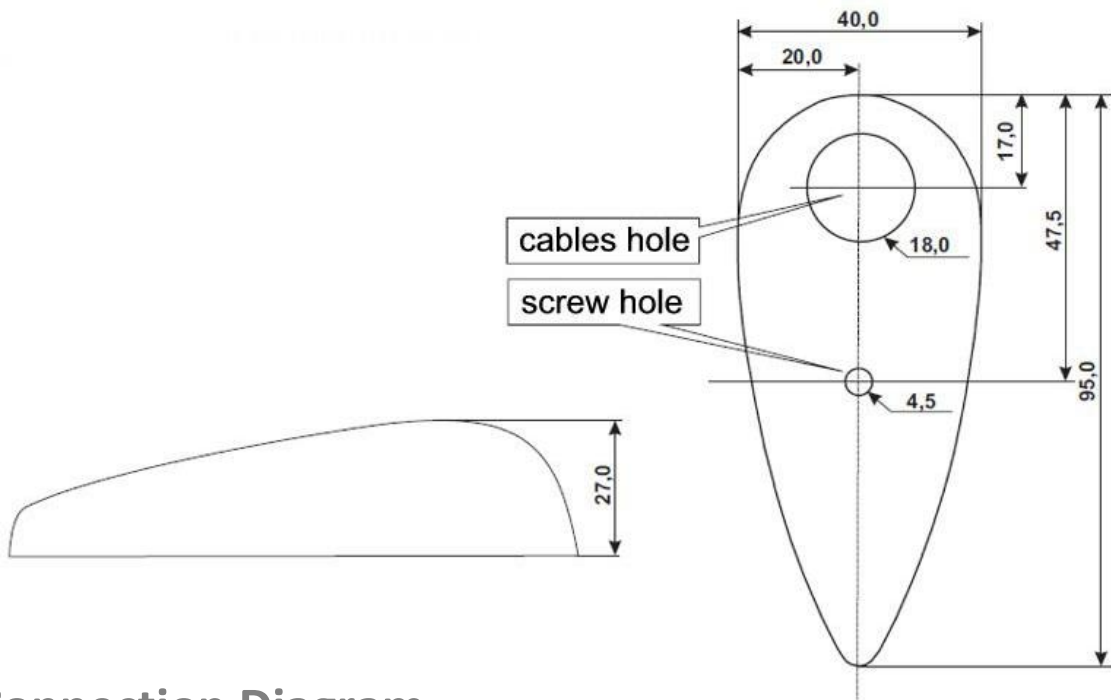
**Sky Nav 360** is all-in-one solution for aircraft lighting which covers all the required light spectrum. The lights are very compact and efficient, always ensuring you to be clearly visible in the air.

All together the set of **Sky Nav 360** lights is having **low weight** and **low power consumption** comparing to classic bulb lights.

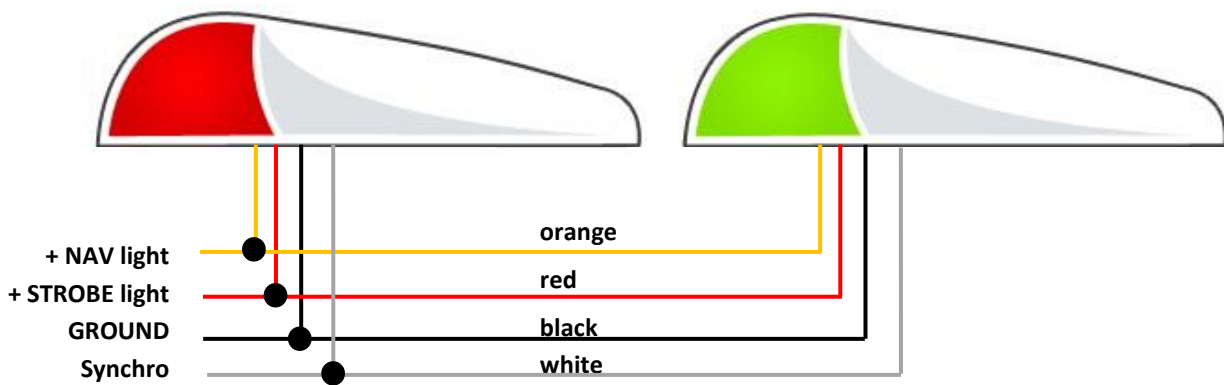
## Technical Data

<b>Navigation light</b>	YES (red/green)
<b>Rear position light</b>	YES (white)
<b>Strobe light</b>	YES (white)
<b>Operation voltage range</b>	11,0 V – 30,0 V
<b>Dimensions</b>	95 mm x 40 mm x 27 mm
<b>Weight (2 lamps)</b>	190 g
<b>Operation temperature range</b>	- 35°C to + 60°C
<b>Current - navigation light (2 lamps)</b>	0,5 A
<b>Current - strobe light (2 lamps)</b>	2,8 A in peak
<b>Input power - navigation light (2 lamps)</b>	6,0 W
<b>Input power - strobe light (2 lamps )</b>	29 W in peak
<b>Navigation light angle</b>	110°
<b>Rear position light angle</b>	140°
<b>Nav/Pos light luminosity (per lamp)</b>	600 lm
<b>Strobe light luminosity (per lamp)</b>	1000 lm
<b>Strobe light frequency</b>	120 flashes/min
<b>Wiring requirement</b>	0,5 mm <sup>2</sup> cable
<b>Encapsulation</b>	Monolith of UV resistant epoxy resin
<b>Strobe control unit</b>	Lamp built in
<b>Reverse polarity protection</b>	YES
<b>Vibration resistance</b>	YES
<b>Water resistance</b>	YES
<b>Strobe synchronization</b>	YES
<b>Warranty</b>	2 years

### Drawing



### Connection Diagram



### Light Distribution

