



## DATA SHEET

**Red Eye**

*Beacon LED Light*

## General information

The **Red Eye** lamp is **LED beacon/recognition light**. It is designed for LSA, Ultralight, KIT and Experimental aircraft.

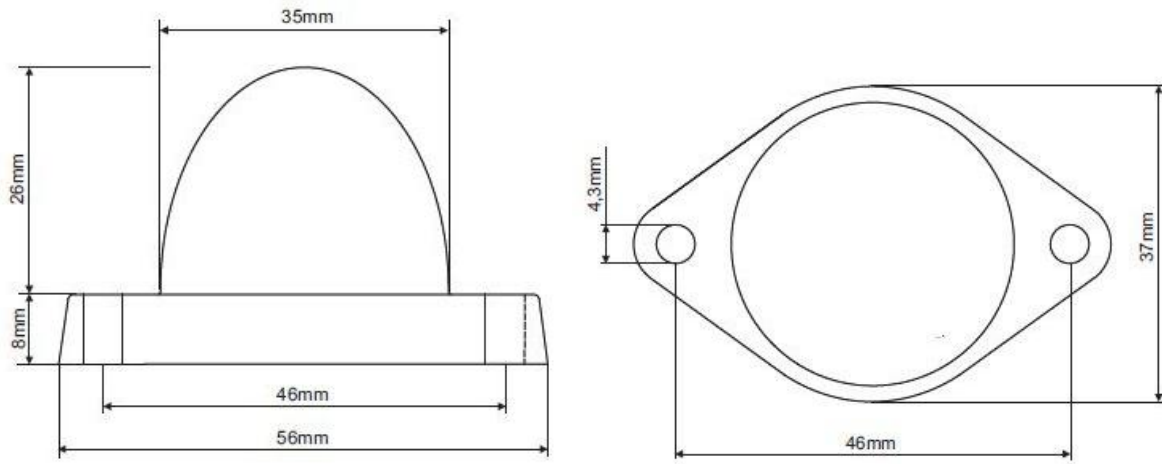
The **Red Eye** is flashing with **red light** and is the light nicely fitted in **water** and **vibration resistant** monolith capsule. The lamp is having **low weight** and **low power consumption** comparing to classic type bulb lamps.

The light is very compact and efficient, always ensuring you to be clearly visible in the air and on the ground.

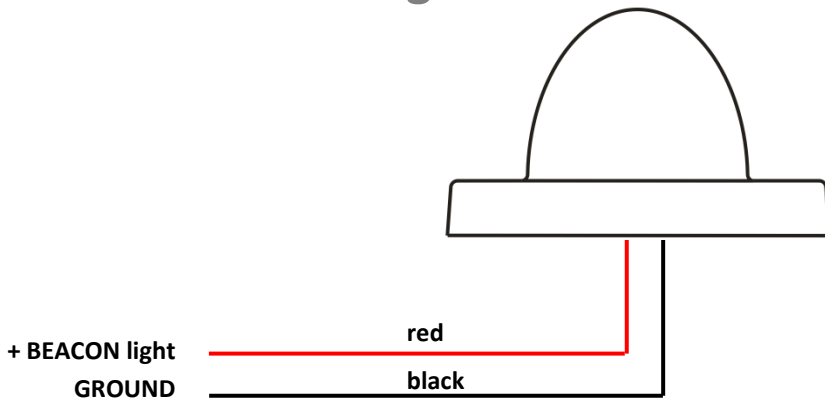
## Technical Data

Beacon light color	RED
Operation voltage range	11,8 V - 14,8 V
Dimensions	56 mm x 37 mm x 34 mm
Weight	50 g
Operation temperature range	- 35°C to + 60°C
Current	3,4 A in peak
Input power	40 W in peak
Light angle	360°
Light luminosity	2000 lm
Flash frequency	120 flashes/min
Wiring requirement	0,5 mm <sup>2</sup> cable
Encapsulation	Monolith of UV resistant epoxy resin
Flash control unit	Lamp built in
Reverse polarity protection	YES
Vibration resistance	YES
Water resistance	YES
Warranty	2 years

### Drawing



### Connection Diagram



### Light Distribution

