

## DATA SHEET

### Navigator **Ultra**

*Navigation/Strobe LED Lights*

## General information

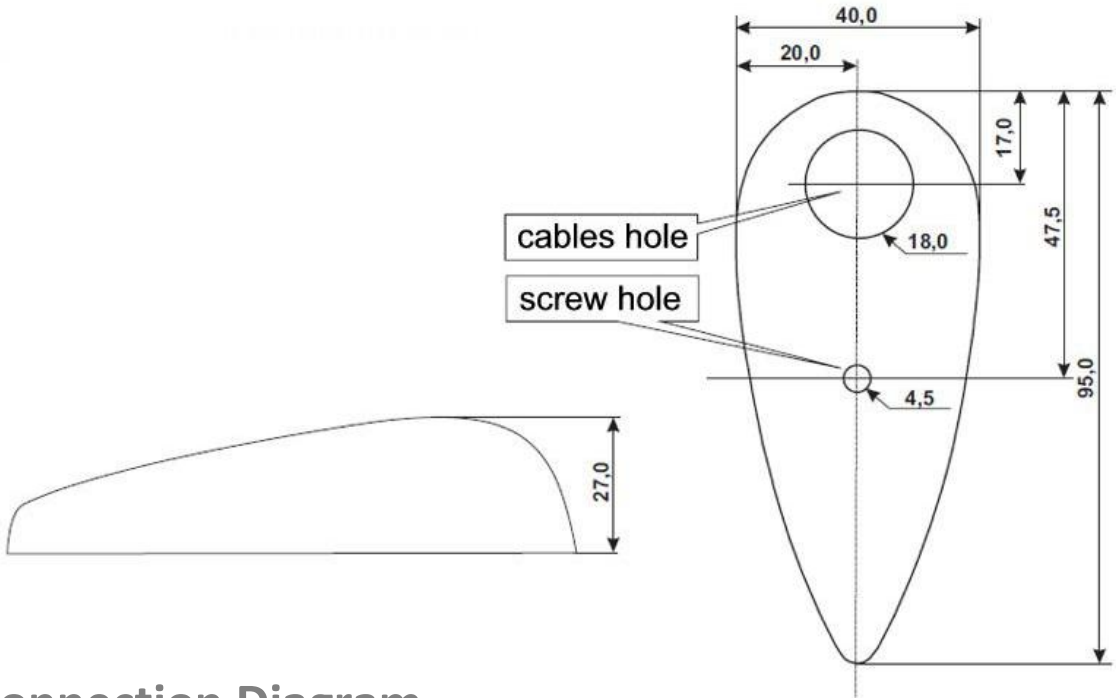
The **Navigator Ultra** series lights are wingtip installed **LED navigation lights** with **strobes** designed for aircraft belonging to **ultralight, LSA** or **experimental** category.

The **Navigator Ultra** are having navigation lights, **red** and **green**, and as well a **white strobe** light nicely fitted in **water** and **vibration resistant** capsules. All together the set of lights is having **low weight** and **low power consumption** comparing to classic type bulb lights.

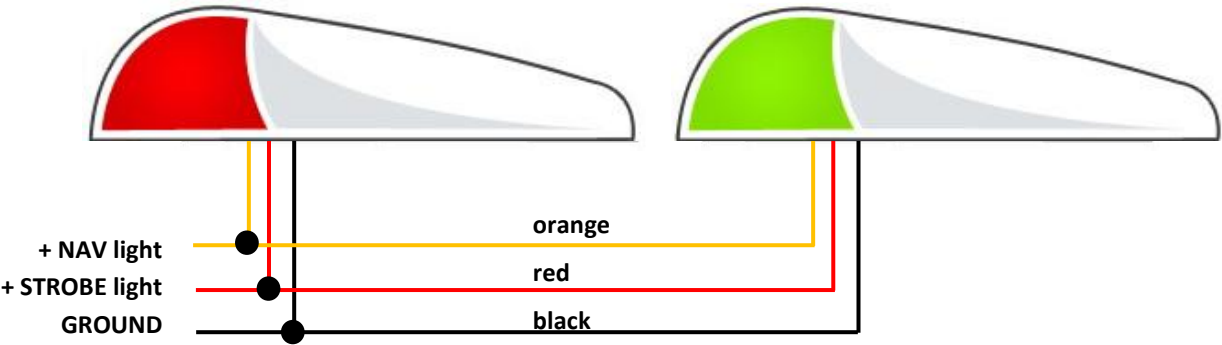
## Technical Data

<b>Navigation light</b>	YES (red/green)
<b>Strobe light</b>	YES (white)
<b>Voltage range</b>	11,8 V - 14,8 V
<b>Dimensions</b>	95 mm x 40 mm x 27 mm
<b>Weight (2 lamps)</b>	190 g
<b>Operation temperature range</b>	- 35°C to + 60°C
<b>Current - navigation light (2 lamps)</b>	0,4 A
<b>Current - strobe light (2 lamps)</b>	2,8 A in peak
<b>Input power - navigation light (2 lamps)</b>	5,0 W
<b>Input power - strobe light (2 lamps )</b>	29 W in peak
<b>Navigation light angle</b>	110°
<b>Navigation light luminosity (per lamp)</b>	450 lm
<b>Strobe light luminosity (per lamp)</b>	900 lm
<b>Strobe light frequency</b>	120 flashes/min
<b>Wiring requirement</b>	0,5 mm <sup>2</sup> cable
<b>Encapsulation</b>	Monolith of UV resistant epoxy resin
<b>Strobe control unit</b>	Lamp built in
<b>Reverse polarity protection</b>	YES
<b>Vibration resistance</b>	YES
<b>Water resistance</b>	YES
<b>Warranty</b>	2 years

Drawing



Connection Diagram



Light Distribution

